

# SZ3

## SLINGSHOT™ Face to Face Slicer Mounting System®

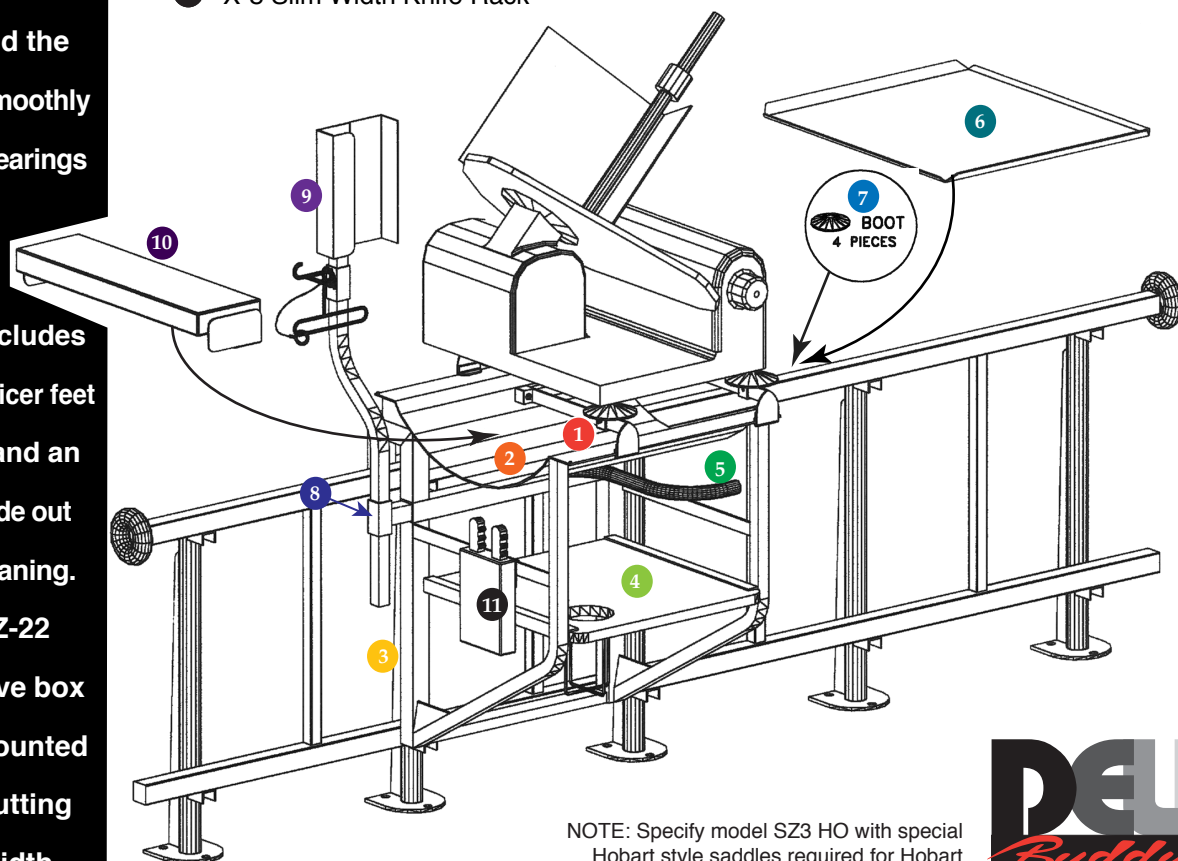
The new Deli Buddy® SZ3 Sliding Face to Face Slicer Mounting System®. Stainless steel mounting beams and saddles support the slicer above a patented "Slingshot™" stainless steel underbelly, designed for easy cleaning and reach. The new SZ3 is mounted on a rail system located directly behind the deli counter. It glides smoothly on stainless steel ball bearings and comes equipped with a spring engaged brake. The SZ3 also includes boots to protect the slicer feet & mounting saddles, and an XZ-CT stainless steel slide out crumb tray for easy cleaning. Options include an XZ-22 poly bag & tissue/glove box holder, XZ-26 side mounted removable Polsan™ cutting board, and X-8 slim width knife rack.

### Standard Features:

- 1 2 Axis Adjustable Stainless Steel Slicer Suspension Mounting Beams and Saddles
- 2 Easy to Wipe Concave Downward Stainless Steel Pan
- 3 Heavy Duty Stainless Steel Tubular Frame Construction
- 4 Slide Out/Removable Polsan™ Lower Shelf with Cleaning Bottle Holder
- 5 Spring Engaged Brake with Removable Brake Pack
- 6 XZ-CT Stainless Steel Slide Out Crumb Tray
- 7 Boots that Cover the Slicer Feet and Mounting Saddles
- 8 2 Axis Universal Adjustable Accessory Sockets (2)

### Options Shown:

- 9 XZ-22 Combination Poly Bag & Tissue/Glove Box Holder
- 10 XZ-26 Side Mounted Removable Polsan™ Cutting Board
- 11 X-8 Slim Width Knife Rack



NOTE: Specify model SZ3 HO with special Hobart style saddles required for Hobart Automatic Slicer models 1712 and 1912.



P.O. Box 1548 Kingston, NY 12402 845-331-2111 Fax: 331-4143 [www.zframerack.com](http://www.zframerack.com)