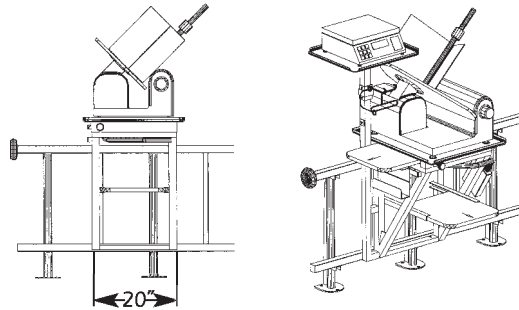


Deli Buddy®
ES1
SLIDING
scale slicer
SYSTEM

ELECTRONIC SCALE READY
Slim width
20"

DELI®
Buddy
M&E MFG. CO., INC.

PO Box 1548
 Kingston, NY 12402
 845-331-2111
 Fax: 845-331-4143
 www.zframerack.com



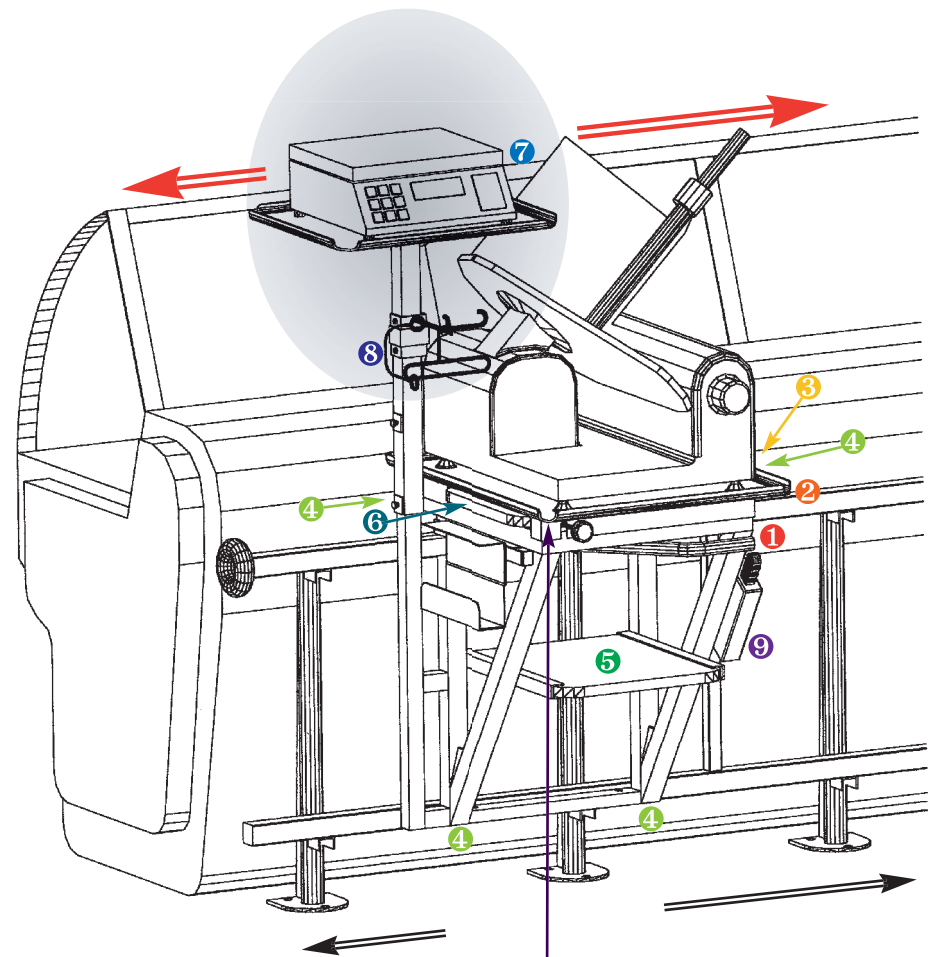
(Other widths available)

Standard Features:

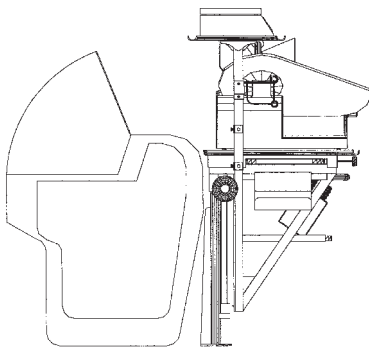
- 1 Spring Engaged Brake with Removable Brake Pack
- 2 Heavy Gauge Stainless Steel Top with Special Rolled Edge and Open Rounded Front Corners
- 3 Brake Tension Control Adjustment for Employee Convenience
- 4 Table Mounted on Six Smooth Glide Stainless Steel Ball Bearings
- 5 Slide Out Removable/Reversible Polsan™ Lower Shelf
- 6 Pull Out Removable Locking Polsan™ Cutting Board on Top Left Side
- 7 Removable/Height Adjustable S/S Scale Shelf with Vibration Isolation

Options Shown:

- 8 X22-CO Combination Poly Bag and Tissue/Glove Box Holder, Height Adjustable with Towel Bar for Glove Box
- 9 X-8 Slim Width Knife Rack



Slicer mounted on Vibration Dampening Mounts
 Counter Weighted / Vibration Dampening Base



SIDE VIEW

Note: Rail does not attach to case

Covered by one or more of the following U.S. patents: 5,330,064; 5,386,787; 5,456,191; 5,471,922; 5,483,782; 5,503,087; 5,628,522; 5,746,063; 5,765,386; 5,816,051; 5,931,018; 5,957,309; 6,062,401; 6,131,399; 6,149,120; 6,173,575; 6,322,180; 6,366,313; 6,419,098; 6,474,757; D480,528; D481,513. Other U.S. & foreign patents pending.

